



DE



EN



ES



FR



IT



PL



RU



ZH



General

Read the entire manual before working with the product. The manual contains important information for your personal safety. The manual must be read and understood by all persons who work on the product in any of the product life phases.

Further applicable documentation

All documents delivered with this manual are further applicable documentation. They must be observed in addition to this operating manual for the safe handling of the product.

Purpose of the document

These assembly instructions describe the conversion of the product.

The instructions contain the information required for converting the product as intended.

⚠ CAUTION



Leaking batteries

Battery fluids and their fumes are hazardous to the environment, corrosive and poisonous! They cause injury to persons and damage to property!

Observe the following points:

- Make sure there is good ventilation in closed rooms before repairing leaks
- Wear safety goggles and gloves
- Prevent battery fluids from getting into the drinking water supply
- Use only dry cleaning cloths without detergents
- Dispose of batteries in an environmentally friendly manner

⚠ CAUTION



Oil, greases

Oils and greases are harmful to the environment!

- The oils and greases must not get into the drinking water supply. Take appropriate measures
- Observe the country-specific safety data sheets
- Oils and greases must be disposed of as hazardous waste, even if the total quantity is small



Structure of the 40I mod

The product consists of the following assemblies:

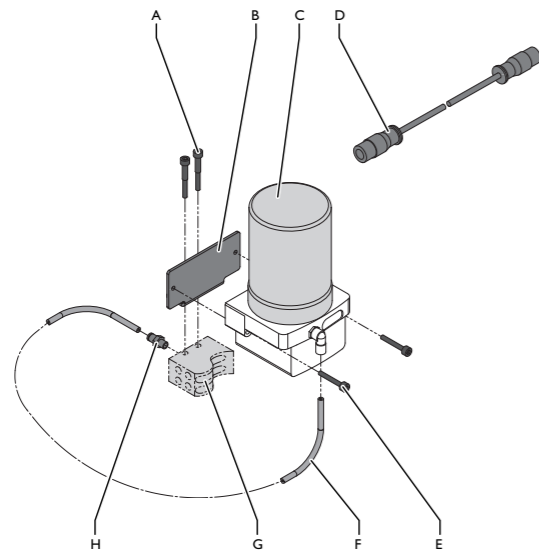


Fig. 1-1

Structure of the 40I mod

- | | | | |
|---|-------------------|---|-------------------------|
| A | Fastening screws | E | Screw |
| B | Bracket | F | Hydraulic hose |
| C | FlexxPump 40I mod | G | Progressive distributor |
| D | Adapter cable | H | Plug-thread connector |

Structure of the 40IB

The product consists of the following assemblies:

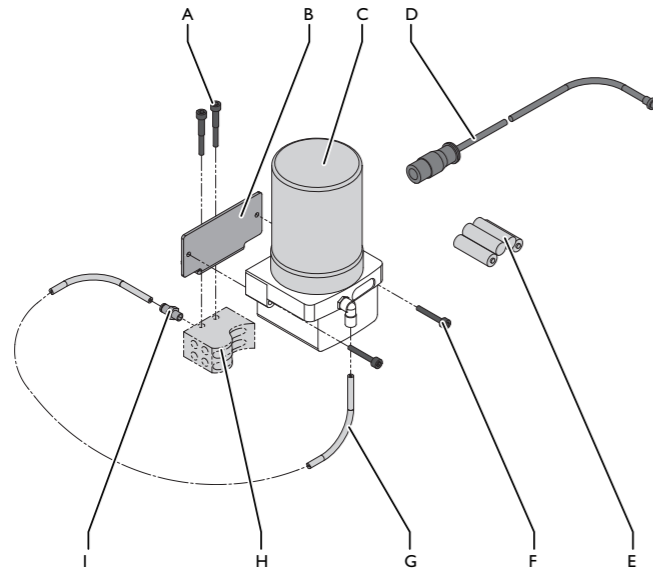


Fig. 1-2

Structure of the 40IB

- | | | | |
|---|------------------|---|-------------------------|
| A | Fastening screws | F | Screw |
| B | Bracket | G | Hydraulic hose |
| C | FlexxPump 40IB | H | Progressive distributor |
| D | LED cable | I | Plug-thread connector |
| E | Battery | | |



Transport

Avoid strong impacts and shocks while transporting the automatic lubrication system.

Repairing damaged packaging

Repair damaged packaging units as follows:

- 1 Remove packaging unit
- 2 Check batteries
- 3 In case of damaged batteries:
 - 3.1 Contact manufacturer by phone number on the transport information
 - 3.2 Follow manufacturer instructions
- 4 If batteries are undamaged:
 - 4.1 Repackage batteries
 - 4.2 Attach transport information for lithium battery to packaging unit

The packaging unit is repaired.

Prerequisites

Dispose of the packaging in accordance with the local waste regulations. Disposal

Checking the delivery

Check the scope of delivery based on the shipping papers. Check the product for damage. Report transport damage promptly.

Interfaces

Check whether the required interfaces are available and ready for use. Order information on the connecting cable. The following interfaces are needed:

Interface	40I mod	40IB
Lubricating pinion for gear teeth and Lubricating element for guideway rail	X	X
Connecting cable M12x1, 4-pole with the corresponding length	X	
PLC	X	

Table I-1 Interfaces

Assembly site

The following prerequisites apply to the assembly site:

- The original Memolub lubrication system must be completely available
- Sufficiently rigid
- In order to minimize condensation, the device must not be subjected to direct sunlight and/or radiation heat



DE



EN



ES



FR



IT



RU



ZH



PL



Product designation

The product has a type plate.

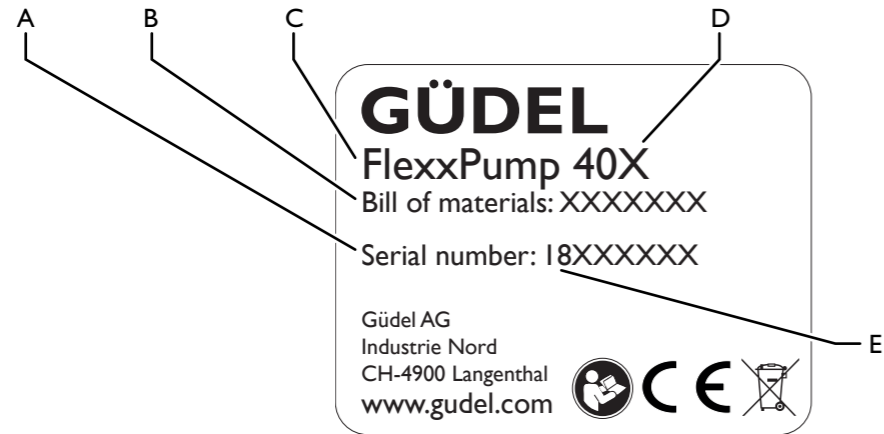


Fig. I-3

Type plate

- | | | | |
|---|---------------|---|--|
| A | Serial number | D | Pump type |
| B | Item number | E | Build year (the first two digits of the serial number) |
| C | Product name | | |

The type plate is attached to the right side of the casing. The hydraulic outputs are indicated by engraved numbers.

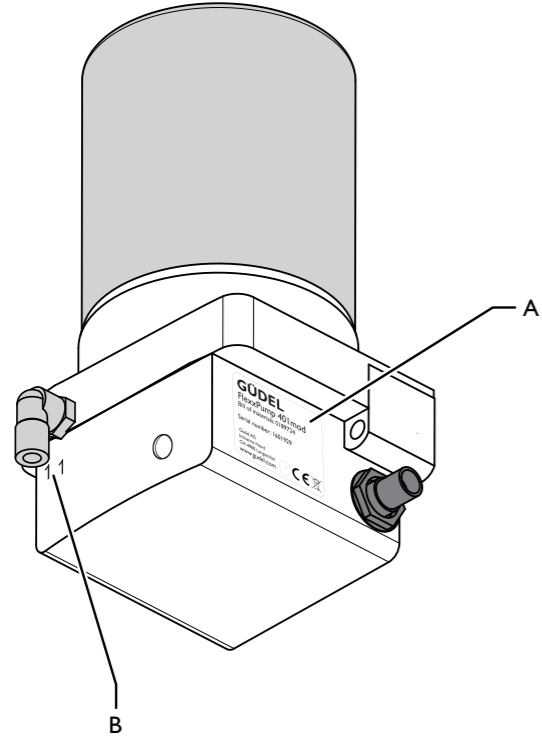


Fig. I-4

Product designations

- | | |
|---|----------------------------------|
| A | Type plate |
| B | Numbers of the hydraulic outputs |