

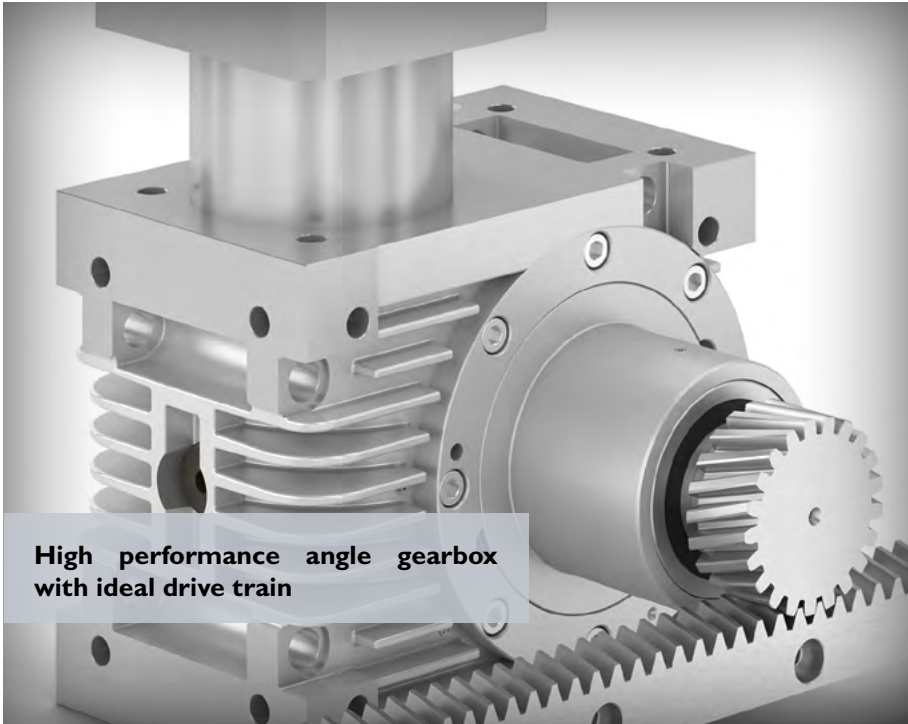
Configure your own Güdel gearbox

Online gearbox configurator proves highly popular

Langenthal, 05.01.2016 A new tool now makes it easier for Güdel customers to make their order inquiries for gearboxes. The configurator is a convenient way to configure custom high-performance miter gearboxes. The free tool is available to all customers on Güdel's website.

The tool is self-explanatory, and the performance parameters for Güdel's high-performance miter gearboxes can be quickly selected, and forwarded directly to HQ as an order inquiry. Within no time, customers receive either a quotation or a custom CAD model according to their requested specifications.

This makes potential sources of errors, such as misspellings or incomplete information, a thing of the past. Especially for subsequent orders, the configurator is a welcome ordering option, as it renders time-consuming telephone inquiries unnecessary.



In the first few weeks since going live, we have already received several dozen inquiries. Güdel high-performance gearboxes can be requested directly at the following [link](#).

* L_1 is gross motor reference, and in the case change it by L_2 in the reference of motor flange.

Motor Fixing Diameter [R]

R = Pitch diameter of fixing holes or threads [mm]

Motor Fixing Diameter

$\varnothing d$ = Diameter of fixing holes [mm] on the motor

M = Diameter of fixing threads [mm] on the motor

Motor Centering Diameter [S]

Güdel Group AG

The Güdel Group is a manufacturer of high-precision machine components and provider of sophisticated automation solutions. Its spectrum of products ranges from linear guideways, racks, pinions and drives right through to linear axes and gantry robots. Güdel assembles its products into systems with a high degree of control intelligence and complete plant installations, which can be used in the automotive, tire, metal, rail, intra-logistics, pharmaceutical, renewable energy, wood, and aerospace industries. Güdel's technology is characterized by its innovation, quality and modularity. The Güdel Group has a workforce of approximately 1,100 employees worldwide in over 30 locations. The Group has been owned by the same family since its foundation more than 60 years ago. The Güdel Group has its headquarters in Switzerland.

Contact

pr@ch.gudel.com

Güdel Group AG
 Industrie Nord
 CH-4900 Langenthal
 Phone +41 62 916 91 91
 Fax +41 62 916 91 50
Info@ch.gudel.com
www.gudel.com